

TIMELESS

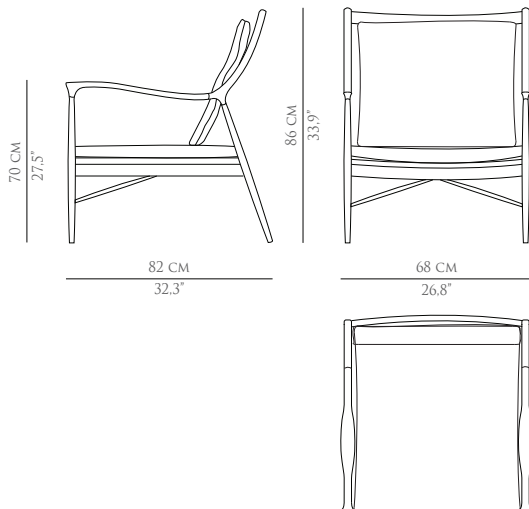


FURNITURE



CASPIO

ARMCHAIR



DIMENSIONS

WIDTH	68 CM 26.8"
DEPTH	82 CM 32.3"
HEIGHT	86 CM 33.9"
SEAT HEIGHT	48 CM 18.9"
SEAT DEPTH	54 CM 21.3"
ARM HEIGHT	70 CM 27.5"

MATERIALS

FABRIC	JACQUARD
LEGS	EXOTIC WOOD

PACKAGING

DIMENSIONS	W 73 CM 28.8" D 87 CM 34.3" H 91 CM 35.8"
VOLUME	0.578 M ³ 20.4 FT ³

SAMPLES



LEAD TIME

PRODUCTION TIME IS BETWEEN 6 TO 8 WEEKS FOR TRASTESE CONTRASTES COLLECTIONS.
DELIVERY TIME IS NOT INCLUDED.
ALL OF OUR FURNITURE CAN BE MADE TO MEASURE AND IT IS AVAILABLE IN DIFFERENT FINISHES.
PLEASE NOTE THAT THE COLOURS AND MATERIALS SHOWN ARE FOR REFERENCE ONLY AND SMALL VARIATIONS MAY OCCUR.