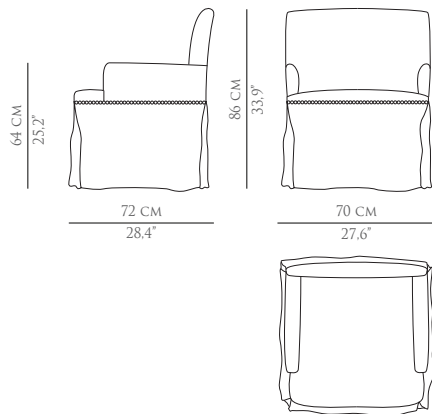




DACCA

ARMCHAIR



DIMENSIONS

WIDTH	70 CM 27.6"
DEPTH	72 CM 28.4"
HEIGHT	86 CM 33.9"
SEAT HEIGHT	48 CM 18.9"
SEAT DEPTH	58 CM 22.8"
ARM HEIGHT	64 CM 25.2"

MATERIALS

FABRIC	LINEN
NAILS	SILVER

PACKAGING

DIMENSIONS	W 75 CM 29.5" D 77 CM 30.3" H 91 CM 35.8"
VOLUME	0.526 M ³ 18.6 FT ³

SAMPLES



LEAD TIME

PRODUCTION TIME IS BETWEEN 6 TO 8 WEEKS FOR TRASTES E CONTRASTES COLLECTIONS.
DELIVERY TIME IS NOT INCLUDED.
ALL OF OUR FURNITURE CAN BE MADE TO MEASURE AND IT IS AVAILABLE IN DIFFERENT FINISHES.
PLEASE NOTE THAT THE COLOURS AND MATERIALS SHOWN ARE FOR REFERENCE ONLY AND SMALL VARIATIONS MAY OCCUR.