

TIMELESS

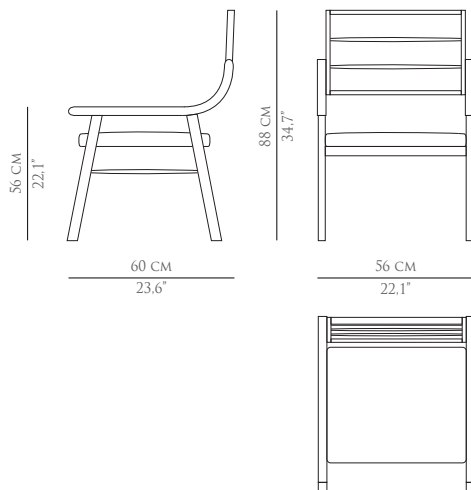


FURNITURE



VITÓRIA

ARMCHAIR



DIMENSIONS

WIDTH	60 CM 23.6"
DEPTH	60 CM 23.6"
HEIGHT	88 CM 34.7"
SEAT HEIGHT	47 CM 18.5"
SEAT DEPTH	50 CM 19.7"
ARM HEIGHT	56 CM 22.1"

MATERIALS

FABRIC	LINEN
LEGS	EXOTIC WOOD

PACKAGING

DIMENSIONS	W 61 CM 24.02" D 65 CM 25.6" H 93 CM 36.6"
VOLUME	0.369 M ³ 13.03 FT ³

SAMPLES



LEAD TIME

PRODUCTION TIME IS BETWEEN 6 TO 8 WEEKS FOR TRASTES E CONTRASTES COLLECTIONS.
DELIVERY TIME IS NOT INCLUDED.
ALL OF OUR FURNITURE CAN BE MADE TO MEASURE AND IT IS AVAILABLE IN DIFFERENT FINISHES.
PLEASE NOTE THAT THE COLOURS AND MATERIALS SHOWN ARE FOR REFERENCE ONLY AND SMALL VARIATIONS MAY OCCUR.