

TIMELESS

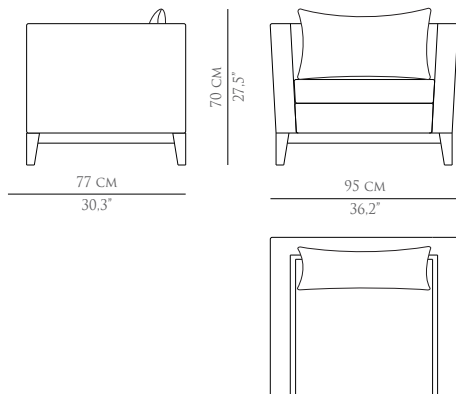


FURNITURE



LUX

ARMCHAIR



DIMENSIONS

WIDTH	95 CM 37.4"
DEPTH	77 CM 30.3"
HEIGHT	70 CM 27.5"

MATERIALS

FABRIC	VELVET
LEGS	VARNISHED DARK WOOD

PACKAGING

DIMENSIONS	W 100 CM 39.3" D 82 CM 32.2" H 75 CM 29.5"
VOLUME	0.615 M ³ 21.7 FT ³

SAMPLES



LEAD TIME

PRODUCTION TIME IS BETWEEN 6 TO 8 WEEKS FOR TRASTES E CONTRASTES COLLECTIONS.
DELIVERY TIME IS NOT INCLUDED.
ALL OF OUR FURNITURE CAN BE MADE TO MEASURE AND IT IS AVAILABLE IN DIFFERENT FINISHES.
PLEASE NOTE THAT THE COLOURS AND MATERIALS SHOWN ARE FOR REFERENCE ONLY AND SMALL VARIATIONS MAY OCCUR.